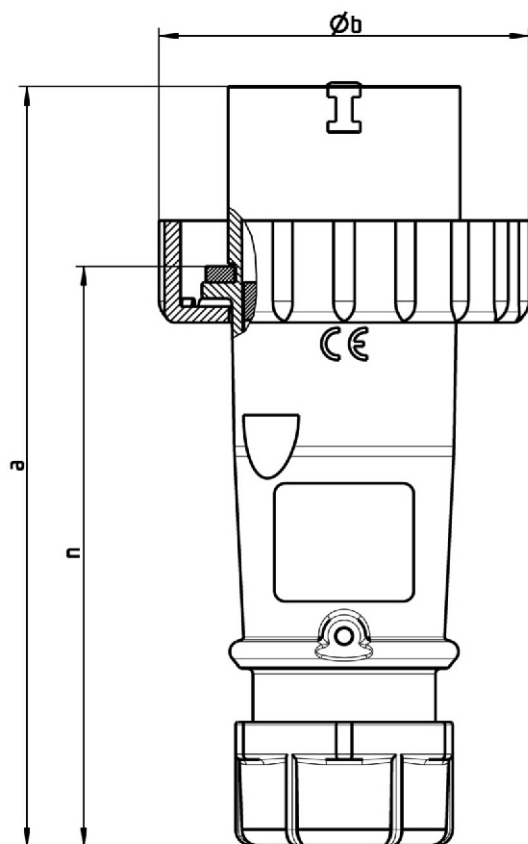


PLUG, IN-LINE

Part No. ME 432P3W-2175
Description: 32 Amp, 3 Phase, 4W, 400-440Vac Plug
Construction: Watertight IEC IP 67
Approvals: UL Listed Standards 1682; 1686
 Bureau Veritas; Lloyd's Register; Germanischer Lloyd
 IEC 60309-1; IEC 60309-2

IEC COLOR CODE: Red

GROUND PIN: 9 Hour Position Mates with Female in 3 Hour Position for Refrigerated Container Usage



Dimensions

	mm	INCHES
a	186	7.32"
b	94	3.70"
n	145	5.71"

Wire Range: 2.5mm² - 6 mm²
 Cord Range: 11mm - 22mm
 Strip Length Jacket: 50mm
 Strip Length Conductor: 14mm

Drawing Not to Scale